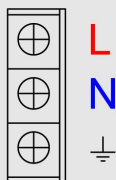


DMX512 Decoder Series



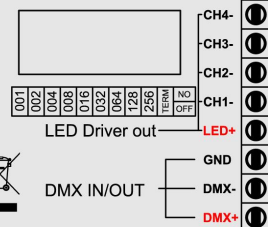
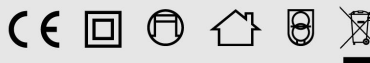
DE8224H-4CH



DMX512 DECODER

DE8224H-4CH

Power : Un=110V ~ 240VAC 50 ~ 60Hz 2.5A
Vout : 24VDC
Iout : 1A/CH * 4CH
Pout : 24W/CH * 4CH Max 100W



SUMMARIZE:

Thank you for using DMX512 Decoder series. It adopts the advanced micro-computer control technology, it converts the DMX-512/1990 standard digital signal adopted widely in international to the analog control signal. Output 1~4 Channels for option and each channel able to achieve 256 levels of brightness controlling, and also it can be used as the connector of PC digital-light controller and analog light modulator. It is mainly used for the controlling of buildings & lights applied LED.

Feature:

- ◆ Meets DMX512/1990.
- ◆ 256-levels brightness, full-color with driver controls.
- ◆ Power no explosive flash, high-frequency output, low jitter.
- ◆ Output 4 channels, constant voltage PWM_24V_1A per channel.
- ◆ Can achieve asynchronous color changes effect under working with controller.
- ◆ Setting the DMX address freely.
- ◆ Good resistance, humane terminal design.

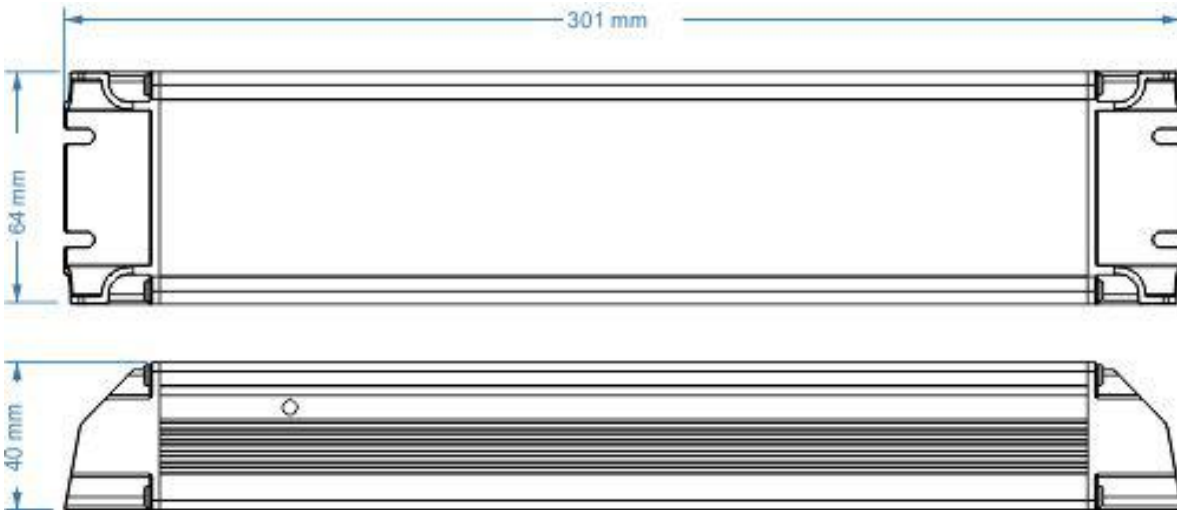
Application:

Architectural, commercial space, airports, construction, subway; hospitals, hotels, shopping malls, plazas, restaurants; advertising dimensional characters, logos, signs, advertising light boxes, as the use of large-area lighting.

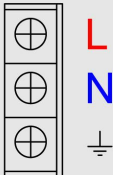
Tech-parameter:

Input: 110V~240VAC	Control channels: 4CH	Output: PWM_24V_1A/CH * 4CH
Control mode: DMX512	Max power: 100W	The light gray level: 256
Work Temp.: 0~70°C	Protection grade: IP40	Transmission Speed: -
Gross Weight: 580g	Product size: L301mm*W62mm*H40mm	Packing: 20PCS/12kg (L45CM*W25CM*H38CM)
Remote control: -		

Size:



Function Instructions:



DMX512 DECODER

DE8224H-4CH

Power : Un=110V ~ 240VAC 50 ~ 60Hz 2.5A
Vout : 24VDC
Iout : 1A/CH * 4CH
Pout : 24W/CH * 4CH Max 100W



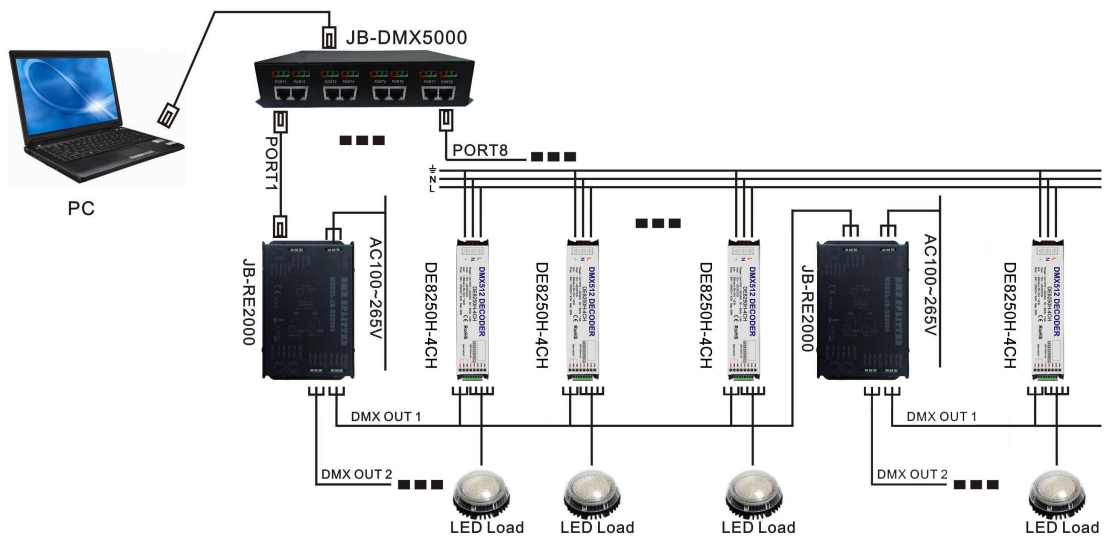
001	002	004	008	016	032	064	128	256	TERM	OFF
-----	-----	-----	-----	-----	-----	-----	-----	-----	------	-----

LED Driver out

DMX IN/OUT

- ① DMX signal input/output interface (Three spelling a terminal).
- ② Address code set the switch interface (Using method see "DMX series address dial the meter")
- ③ Driver output interface (common anode drive with a 4-channel LED + interface and CH1-CH2-CH3-CH4-output interface, can connect all kinds of full-color module and monochrome module automatically according to the lamps module load adjust the output pulse).

Wiring Diagram:



DMX-512 Control signal connection

- ◆ DIP switch 1-9 bits are all pulling to the 0 position for each channel self-test function, LED full light again lit every channel order.
- ◆ DMX signal cable with twisted pair UTP (network cable), DMX signal of positive and negative terminals, crimping DMX signal cable plug is paying particular attention to polarity. The DMX512 controller input and output terminals of the common three-mile, please correspond polarity connection.
- ◆ DMX5000 output and transmission lines can't be over 300 meters.
- ◆ DMX5000 each interface can with not more than 128 pieces of DE8224H-4CH. Eight output interface. Through the JBLED FLASH light making software and can with computer on line control. Realize infinite connect the DMX lights.
- ◆ When contacting 32 pieces of DE8224H-4CH, DMX signal must add a signal amplifier RE2000 . Cascade can't more than 4 PCS.
- ◆ At the end of the connection, we should connect a DMX signal finalizer (Put down the code switch no.10 of DE8224H-4CH dial).